

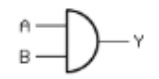
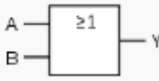
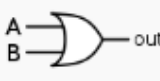


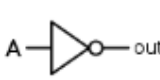


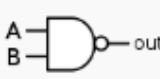
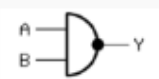
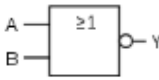
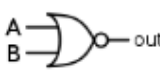
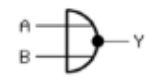
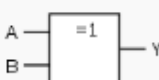


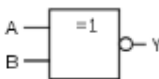
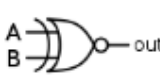



Übersicht von wichtigen Gattern

Name	Funktion	Symbol in Schaltplan			Wahrheitstabelle															
		IEC 60617-12 : 1997	US ANSI 91-1984	DIN 40700 (vor 1976)																
UND-Gatter (AND)	$Y = A \wedge B$ $Y = A \cdot B$ $Y = AB$				<table border="1"> <thead> <tr><th>A</th><th>B</th><th>Y</th></tr> </thead> <tbody> <tr><td>0</td><td>0</td><td>0</td></tr> <tr><td>0</td><td>1</td><td>0</td></tr> <tr><td>1</td><td>0</td><td>0</td></tr> <tr><td>1</td><td>1</td><td>1</td></tr> </tbody> </table>	A	B	Y	0	0	0	0	1	0	1	0	0	1	1	1
A	B	Y																		
0	0	0																		
0	1	0																		
1	0	0																		
1	1	1																		
ODER-Gatter (OR)	$Y = A \vee B$ $Y = A + B$				<table border="1"> <thead> <tr><th>A</th><th>B</th><th>Y</th></tr> </thead> <tbody> <tr><td>0</td><td>0</td><td>0</td></tr> <tr><td>0</td><td>1</td><td>1</td></tr> <tr><td>1</td><td>0</td><td>1</td></tr> <tr><td>1</td><td>1</td><td>1</td></tr> </tbody> </table>	A	B	Y	0	0	0	0	1	1	1	0	1	1	1	1
A	B	Y																		
0	0	0																		
0	1	1																		
1	0	1																		
1	1	1																		
NICHT-Gatter (NOT)	$Y = \bar{A}$ $Y = \neg A$				<table border="1"> <thead> <tr><th>A</th><th>Y</th></tr> </thead> <tbody> <tr><td>0</td><td>1</td></tr> <tr><td>1</td><td>0</td></tr> </tbody> </table>	A	Y	0	1	1	0									
A	Y																			
0	1																			
1	0																			
NAND-Gatter (NICHT UND) (NOT AND)	$Y = \overline{A \wedge B}$ $Y = A \bar{\wedge} B$ $Y = \overline{AB}$				<table border="1"> <thead> <tr><th>A</th><th>B</th><th>Y</th></tr> </thead> <tbody> <tr><td>0</td><td>0</td><td>1</td></tr> <tr><td>0</td><td>1</td><td>1</td></tr> <tr><td>1</td><td>0</td><td>1</td></tr> <tr><td>1</td><td>1</td><td>0</td></tr> </tbody> </table>	A	B	Y	0	0	1	0	1	1	1	0	1	1	1	0
A	B	Y																		
0	0	1																		
0	1	1																		
1	0	1																		
1	1	0																		
NOR-Gatter (NICHT ODER) (NOT OR)	$Y = \overline{A \vee B}$ $Y = A \bar{\vee} B$ $Y = \overline{A + B}$				<table border="1"> <thead> <tr><th>A</th><th>B</th><th>Y</th></tr> </thead> <tbody> <tr><td>0</td><td>0</td><td>1</td></tr> <tr><td>0</td><td>1</td><td>0</td></tr> <tr><td>1</td><td>0</td><td>0</td></tr> <tr><td>1</td><td>1</td><td>0</td></tr> </tbody> </table>	A	B	Y	0	0	1	0	1	0	1	0	0	1	1	0
A	B	Y																		
0	0	1																		
0	1	0																		
1	0	0																		
1	1	0																		
XOR-Gatter (Exklusiv-ODER, Antivalenz) (EXCLUSIVE OR)	$Y = A \bar{\vee} B$ $Y = A \oplus B$				<table border="1"> <thead> <tr><th>A</th><th>B</th><th>Y</th></tr> </thead> <tbody> <tr><td>0</td><td>0</td><td>0</td></tr> <tr><td>0</td><td>1</td><td>1</td></tr> <tr><td>1</td><td>0</td><td>1</td></tr> <tr><td>1</td><td>1</td><td>0</td></tr> </tbody> </table>	A	B	Y	0	0	0	0	1	1	1	0	1	1	1	0
A	B	Y																		
0	0	0																		
0	1	1																		
1	0	1																		
1	1	0																		
XNOR-Gatter (Nicht-Exklusiv-ODER, Äquivalenz) (EXCLUSIVE NOT OR)	$Y = \overline{A \bar{\vee} B}$ $Y = A \bar{\nabla} B$ $Y = \overline{A \oplus B}$				<table border="1"> <thead> <tr><th>A</th><th>B</th><th>Y</th></tr> </thead> <tbody> <tr><td>0</td><td>0</td><td>1</td></tr> <tr><td>0</td><td>1</td><td>0</td></tr> <tr><td>1</td><td>0</td><td>0</td></tr> <tr><td>1</td><td>1</td><td>1</td></tr> </tbody> </table>	A	B	Y	0	0	1	0	1	0	1	0	0	1	1	1
A	B	Y																		
0	0	1																		
0	1	0																		
1	0	0																		
1	1	1																		